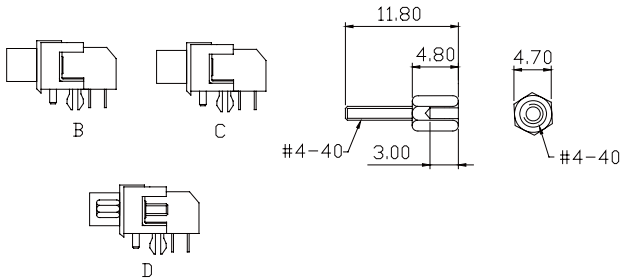
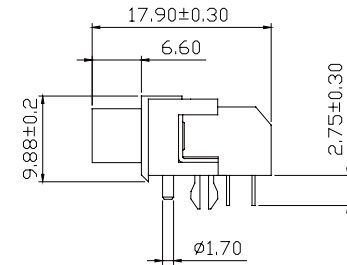
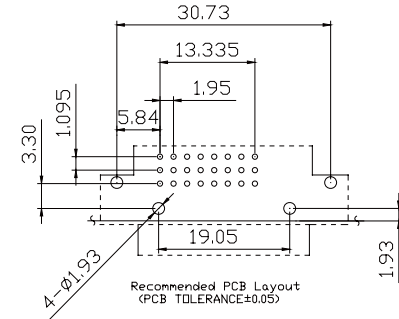
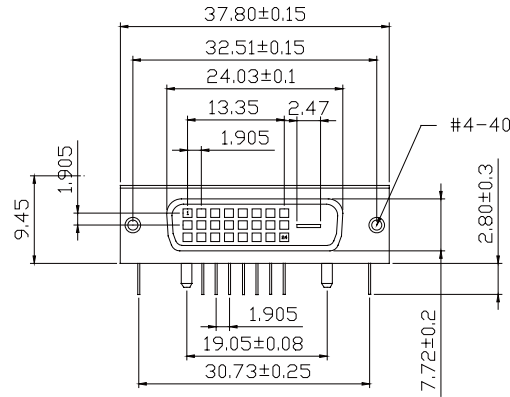
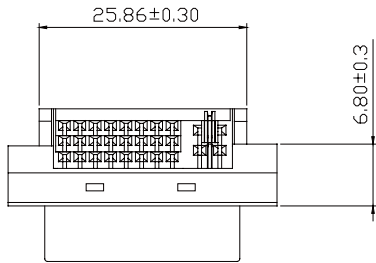


SPECIFICATION

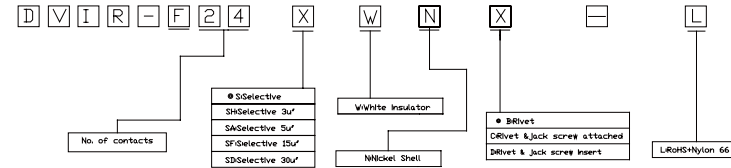
Current Rate: 1 AMP
 Insulation Resistance: 2000mΩ Min
 Contact Resistance: 20mΩ Max
 Dielectric voltage: 500V AC for one minute
 Operation Temperature: -55°C to +105°C

MATERIAL

Insulator: High Temperature Plastic UL-94V-0 Nature Color
 Contact: Phosphor Bronze
 Contact Plating: Gold on Contact Area, and Tin plated or nickel plated
 Metal Board Lock: Copper Alloy with Tin Plating
 Shell: Zinc Alloy with Nickel Plating



ORDER INFORMATION



APPRO	CHECK	DRAWN	PART NO.	DVIR-F24XWNX-L		
			ITEM NO.			
			DRAW NO.			
			UNIT	mm	SCALE	no
			TOLER		NO.	

DESCRIPTION

Tel: 0769 2202068 Fax: 0769 2202069 E-mail: sales@vigortec.com